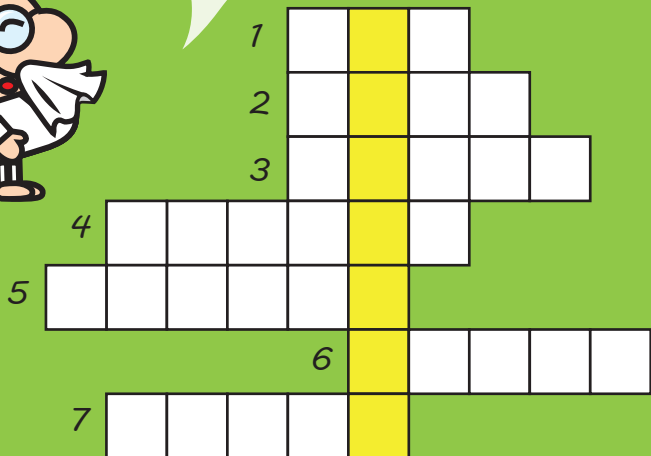


CLUE
6

SOLVE THE CROSSWORD PUZZLE TO FIND THE WORD IN THE YELLOW BOX. IT WILL TELL US WHAT THE ALIEN'S POWER DOES TO HUMANS.



ITS EVIL EFFECT



- 1. IT LIKES TO RUN AFTER THE MOUSE
- 2. THE COLOUR OF THE SKY
- 3. MICKEY MOUSE'S DOG
- 4. IT COMES AFTER SPRING
- 5. A ROSE IS A...
- 6. YOU GET IT IF YOU MIX BLUE AND YELLOW
- 7. BEES MAKE IT

DO YOU THINK YOU KNOW WHO THE EVIL ALIEN IS?



NOW THAT YOU HAVE COLLECTED ALL THE CLUES, GO TO THE ATOPICA STAND TO MEET DOCTOR ATOPICA'S SIDEKICKS. IF YOU GUESSED THE CULPRIT'S IDENTITY, YOU WILL RECEIVE A WONDERFUL PRIZE!



atopica[®]

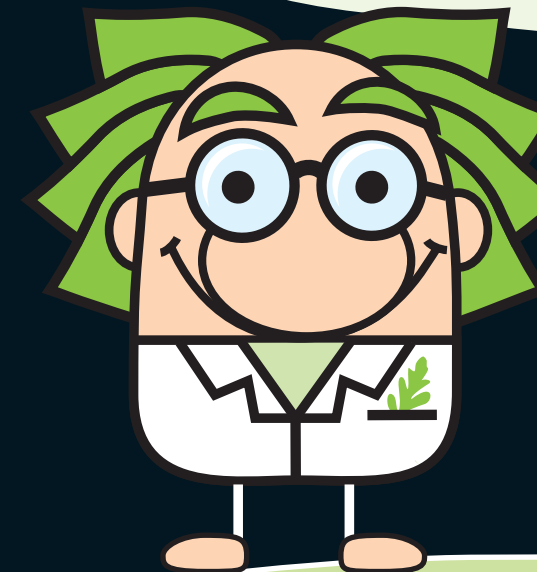
atopic diseases in changing climate, land use & air quality

UNDERSTANDING & QUANTIFYING THE EFFECTS OF ENVIRONMENTAL CHANGES ON

By gathering an interdisciplinary team of climate and air quality scientists, together with clinicians and biologists, ATOPICA aims to quantify and project the effects of environmental changes on pollen induced allergic disease. The focus is on Ambrosia

Artemisiifolia, also known as Common Ragweed, which is an alien invasive plant with pollen that causes allergic disease and has significant negative impacts on health and quality of life.

WHO IS THE ALIEN ?
HELP ME FIND IT OUT
AND WIN A PRIZE



STARRING
DOCTOR ATOPICA

AN EVIL ALIEN INVADED EUROPE AND IS HIDING AMONG US!
DOCTOR ATOPICA IS AFTER IT! DISCOVER ITS SECRET IDENTITY!



ATOPICA project is funded by the Seventh Framework Programme of the European Union's (grant agreement n. 282687)

atopica.eu



WORK OUT ALL THE CLUES TO UNMASK THE EVIL ALIEN

CLUE

1

I NEED HELP FINDING THE HIDDEN WORDS. IF WE FIND THEM, WE WILL KNOW WHAT THE ALIEN REALLY IS!

WHAT IS IT?



CLUE

2

COLOUR THE AREAS WITH DOTS TO CATCH A GLIMPSE OF THE ALIEN.

WHAT DOES IT LOOK LIKE?



CLUE

3

"ARTEMISIIFOLIA" IS THE ALIEN'S NAME. BUT WHAT IS ITS SURNAME? LET'S WRITE THE FIRST LETTER OF EACH OF THESE IMAGES TO FIND IT.



ITS NAMES

CLUE

4

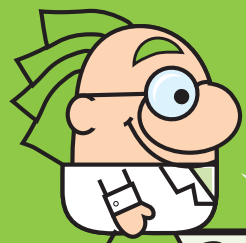
I USED MY ALPHABET TO LEAVE A SECRET MESSAGE. BREAK THE CODE TO KNOW WHAT MY NICKNAME IS.



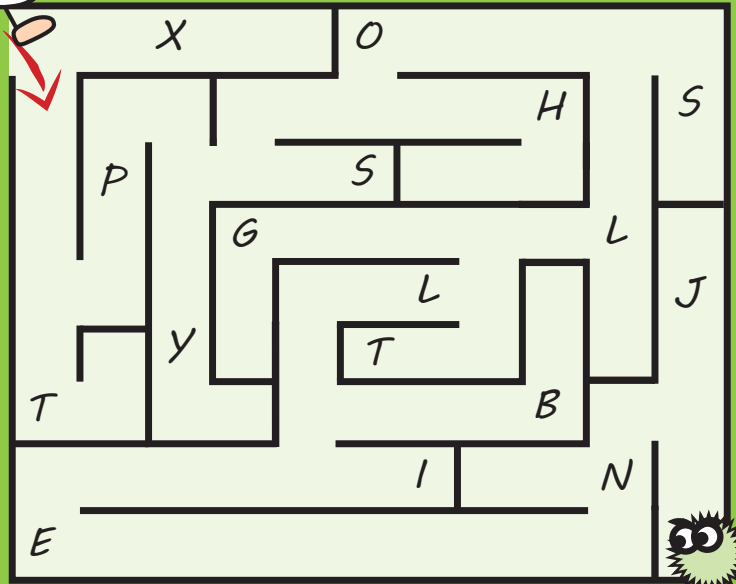
CLUE

5

THE INVADER USES A POWDER TO KNOCK ME OUT! LEAD ME ALONG THE SHORTEST PATH. USE THE LETTERS WE COME ACROSS TO FIND WHAT THE POWDER IS.



START HERE



ITS WEAPON

FINISH HERE